

WARRANTY & REPAIR

FULL TWO (2) Year Warranty

Gold Mountain warrants its products to be free from defects in materials and workmanship for a period of two years from date of purchase. Any unit returned to the factory, freight prepaid, under the provisions of the warranty, will be repaired free of charge and returned to the customer freight prepaid. This warranty does not cover batteries, obvious misuse or abuse. After the warranty period the factory agrees to make any necessary repairs for a reasonable charge.

If your detector should need service at our factory, please follow these steps:

- 1) Remove batteries before shipping.
- 2) Ship the entire detector.
- 3) Include a brief note explaining the problem.
- 4) Carefully pack the detector in a sturdy carton.
- 5) Return malfunctioning detectors promptly since there may be delays caused by shipping and other units in for repair.

A FINAL WORD

Practice makes perfect. It takes time to gain the skill and experience that lead to success in treasure hunting, so don't become discouraged. Keep working at it and you will be finding the coins, rings, relics and other valuables that you are seeking. Treasure hunting is a fascinating, exciting and rewarding hobby and we know you will enjoy it.

If you have questions or comments, please call or write to us. Your correspondence is always welcome.

KING COBRA OPERATING MANUAL

1630 Falcon, #102
DeSoto, TX 75115

Telephone (214) 224-3294
Fax (214) 224-0089



Welcome to the exciting world of treasure hunting! We at Gold Mountain believe that you will be increasingly pleased and impressed with the instrument you have chosen.

Your Gold Mountain metal detector has been designed and built for years of dependable operation. The better you understand and care for it, the more success and enjoyment it will provide.

These instructions will help you to master your detector faster and avoid unnecessary problems. Study them carefully before using your new detector. Refer to them whenever you have questions. Review them regularly as you increase in experience and skill. Practice - if you have not operated this type of detector before it may take awhile until you have mastered its operation. However, the time you invest will be rewarded by a lifetime of treasure hunting pleasure!

Good Luck and Good Hunting!

KING COBRA

SPECIFICATIONS

TypeVLF Discriminator, slow motion
Operating frequency 15 KHz
Coil size 8 inch dia.
Coil typeconcentric
Headphone 8 ohm
Weight 3 1/8 lbs.
Batteries 8 - 1.5 volt, AA type
Battery life 12 - 20 hours

Features...Discrimination, Notch Discrimination, All-Metal mode, Pinpointing, Dual Tone.

KING COBRA - OPERATION

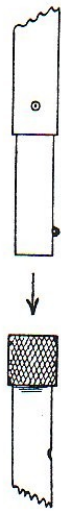
The King Cobra utilizes automatic circuitry for many of its electronic functions. For most coin hunting situations the PRESET control settings will offer optimum performance. With the DISC. ADJ. and the NOTCH ADJ. set at the PRESET points, most trash such as; nails, tinfoil, bottlecaps and pulltabs will be rejected. At the PRESET settings small gold rings, nickels, silver, gold, copper and clad coins will be detected. Medium or large gold rings may be rejected if the normal or notch discrimination is set to reject pull tabs or screwcaps.

1630 Falcon, #102
DeSoto, TX 75115

Telephone (214) 224-3294
Fax (214) 224-0089



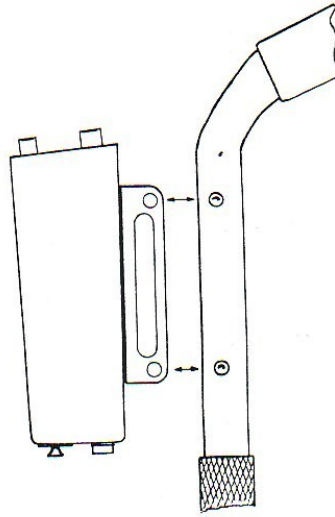
ASSEMBLY - The only assembly required after shipment is to attach the handle section to the searchcoil shaft and to attach the searchcoil cable to the control box. Before going into the field; be sure that the adjustable stem is adjusted to a comfortable length, the two locking nuts tightened, also, searchcoil cable and wing nut must be secure.



Insert handle into searchcoil shaft

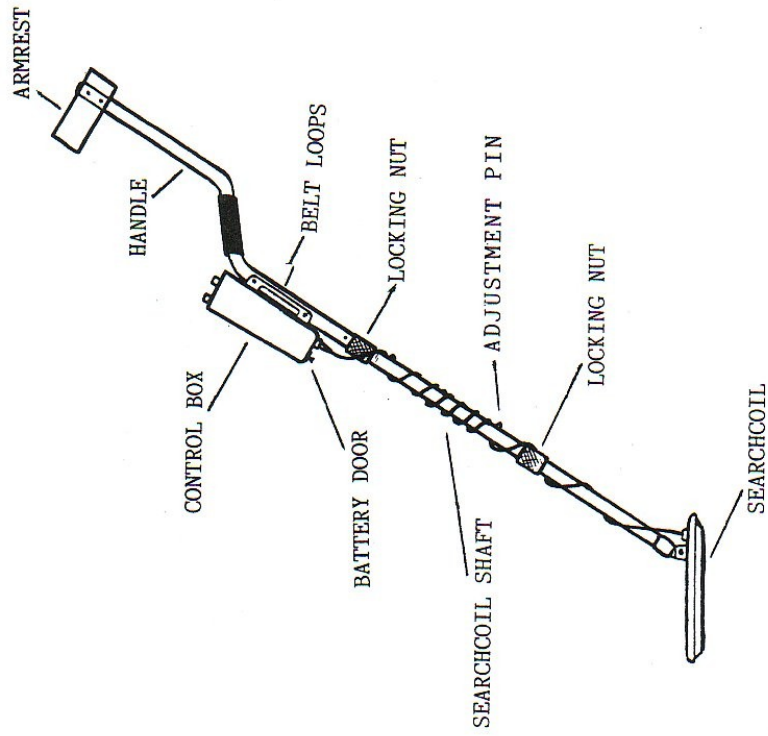


SECURE BY TIGHTENING IN THIS DIRECTION

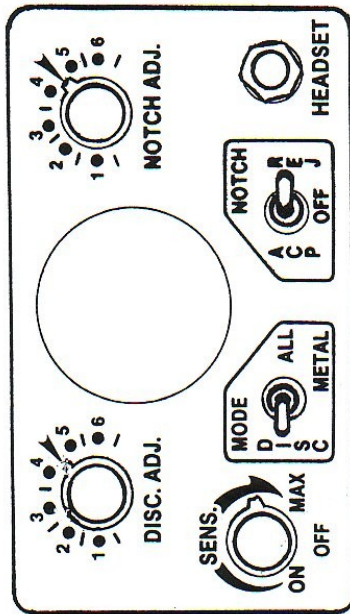


-Control box easily detaches by depressing locking buttons (simultaneously, depress buttons opposite each other on either side of the stem) The control box mounting bracket has a built-in belt loop, the control box may also be hung on a strap around the neck for water hunting (don't get the box wet!).

FULLY ASSEMBLED DETECTOR



CONTROL PANEL



CONTROL SETTINGS - GETTING STARTED

-Operation of the King Cobra is simple and the following control settings will apply for most coin hunting conditions.

- 1) Set both the DISC. ADJ. and the NOTCH ADJ. to the *PRESET points. ▼
- 2) Set the MODE switch to DISC - set the NOTCH switch to REJ.
- 3) ON/OFF-SENS. - This control turns the power on or off and also adjusts the sensitivity. (Each time that the power is turned on the battery check circuit is activated - see section on battery testing.) With new batteries you may not be able to set the sensitivity to MAX. If, when the SENS. is turned to MAX, erratic/chirping sounds are heard decrease sensitivity until the erratic sounds stop.

* Due to varying conditions our PRESET points may not be 100% accurate, you may find that slight variations will produce better results. The NOTCH ADJ. is especially critical. Using samples of trash and coins for testing and control adjustment will increase accuracy of settings. When the notch is turned 'ON' you should be able to detect both a nickel and dime, if you can't then the NOTCH ADJ. is set incorrectly.

DUAL TONE - If you have used a nickel and a dime for testing you may have noticed that their responses had different audio pitches. Targets that fall into the range to the left of the NOTCH ADJ. setting will produce a lower pitch tone and targets that fall to the right will produce higher pitched tones. For example, if the NOTCH ADJ. is set at the preset point, nickels, small gold rings and some jewelry will respond with a lower pitched tone; copper, silver and clad coins will respond with a higher pitched tone. (The Dual Tone is still in effect when the Notch is turned off.)

PINPOINTING - By moving the searchcoil back-and-forth in an "X" pattern over the area of detection you will have good idea of exactly where to dig. The center of the searchcoil produces the loudest signal. For more accurate pinpointing you can switch to the All-Metal mode.

ALL-METAL MODE - This is the center position of the MODE switch, it is used for pinpointing or when discrimination is not desired. The operation is not silent, there is a low constant tone with slow auto-returning. For quicker retuning, press the mode switch to the full right position and release, the switch will then return to the center position.

FALSE SIGNALS - When good targets are passed over they will produce consistent signals. If you cannot get a good definite signal when you pass the search coil back-and-forth over an area then you may be receiving a false signal. False signals can be produced by either a large piece of trash or some type of soil condition. Some false sounding signals are produced when a good target is buried next to a trash target. With practice you will learn how to deal with these erratic types of signals.

BATTERY TESTING - When the power is turned on the automatic battery testing system is activated. With new batteries a tone is emitted that lasts for about two seconds. As the batteries weaken the tone will last for a shorter time. A tone of about one second or less will indicate that new batteries will be needed soon. If no tone is heard when the power is turned on, the batteries may be dead.

BATTERY REPLACEMENT - The batteries are contained within the control box, they are held in place by the battery access door. To remove the battery access door, carefully pull out on the two snap-locks located on either side of the battery door. The eight (8), 1.5 volt AA batteries are contained by two battery holders. Each battery holder has removable removable contacts.

To replace batteries remove battery access door, disconnect both battery contacts, remove battery holders, install new batteries in battery holders and return battery holders to battery compartment, replace contacts and battery access door. Test new batteries. (Heavy duty batteries may last up to twice as long as cheaper batteries.)

DISCRIMINATION - The KING COBRA has two control adjustments for discrimination, one is for normal discrimination and the other is for the notch.

The normal discrimination control rejects more items as the setting is increased. All items that were rejected at lower settings will still be rejected at higher settings, for example, the following items will be rejected at these control settings; pure platinum 4, bottlecaps and white gold rings 4 1/2, nickels and some pulltabs 5, pulltabs and screw caps 5 1/2, pennies 6. It should be obvious, that the lowest possible discriminate setting, should always be used. You will have to decide as to the best choice; increase discrimination and run the risk of missing some items, or decrease discrimination and dig up more trash items.

Notch discrimination will enable you to set the normal discriminate control at a lower setting and still be able to reject pulltabs. The Notch discrimination works differently than the normal discrimination. The notch only rejects items within a narrow band of the discriminate range; for example, at the PRESET settings most *pulltabs will be rejected, nickels and smaller gold rings will be detected, most other coins will be above the notch setting and therefore they will also be detected. *(some pulltabs react at the same point as nickels and we do not attempt to reject them)

Due to similiar conductivity of gold, silver, copper and aluminum and the fact that they are usually alloyed with each other or other metals, it is difficult for a metal detector to be able to absolutely differentiate between these metals. With practice and experimentation the notch system in the King Cobra will aid you in finding more valuables with less effort and aggravation and in a shorter period of time.

TIPS FOR SUCCESS

Read and practice! Be sure that you are thoroughly familiar with the operation and characteristics of the instrument before going on your first metal detector outing.

Start out by reading the instructions for setting the controls. Gather up test samples, coins, pulltabs, nails, etc. Set the controls to the PRESET points and use your test samples. Now, try other settings, such as, lower discrimination or a different 'notch' setting. It is best that the first test be done indoor, with the detector laying in a stationary position, and with the searchcoil away from any metal. You will notice that in DISC. (discriminate) you must move your test item to get a detection signal and that the best signal is in the center of the coil.

After some indoor practice you may wish to take your test samples into the yard. Before placing your test samples in the yard you may wish to check the area for signals. (If you bury some test samples do not expect the freshly buried items to be detected as deep as similar items that have been buried for a long time. When you disturb the ground you disturb the ability of the signal to penetrate as deep.)

Before hunting be sure that the searchcoil stem is adjusted to a comfortable length and that the locking nuts are tightened snugly. Adjust the stem so your searchcoil will be close to the ground.

When searching keep the searchcoil parallel and close to the ground. For best results work in a systemized manner. Annalize a site and search the best most logical spots first. To thoroughly search an area you will need to overlap your searchcoil swings.

Keep your eyes and ears open. Watch for areas of new construction, they may be removing old houses or buildings. Be the first one there with a metal detector! Listen to older people who may be able to tell you where an old home or school house was located in the past. Read treasure hunting magazines, go to the library and use the historical section.

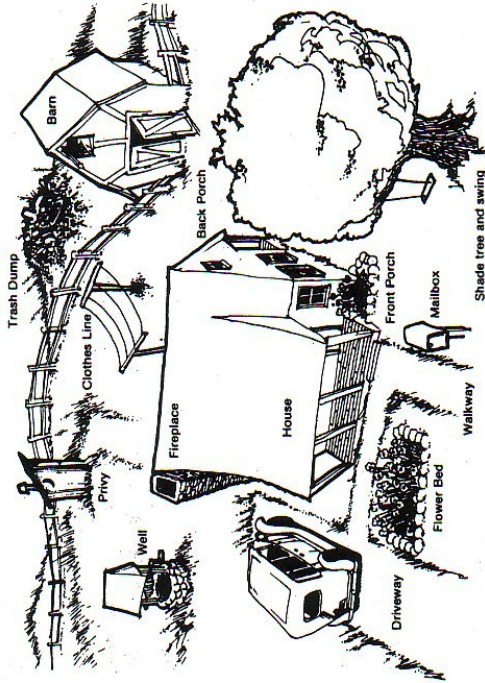
Good Luck and Good Hunting! Remember to fill your holes, do not damage property, ask for permission when possible and to leave an area just as you found it.

Treasure Tips

Some types of treasure hunting require more than a good detector, a bit of patience and a reasonably nice day. With very little planning, the THer (treasure hunter) can return from several hours of hunting in a public park, in a school yard or church yard or under the stands of an athletic stadium with a bulging pocketful of coins. Beachcombing takes little forethought. If you know where the sunbathers have been, you'll find coins, jewelry and various valuables. One Gold Mountain user, recently retired, searched the beach every morning for his long lost silver dollars and gold coins. However, certain types of successful THing require a bit more planning. If ghost-towing is your thing, do a little research before setting out with your detector. Talk to the old timers in the area who can tell you about the town. Where was the general store? Where were church services held? What were the main thoroughfares to town? Particularly in small towns, real estate agents can be excellent sources of information. Libraries frequently have copies of county histories that mention details about forgotten towns.

One word of caution — don't tell everyone you speak with of your plans. You will have an army of volunteers waiting to share the profits with you. Just ask questions, questions and more questions. Soon you will have more information than you know what to do with. Once you locate your town site, find the dumping areas. They hide many ancient treasures. Check the visible building foundations. Footpaths and roads to town, gathering places and areas around hotels and rooming houses yield many forgotten collectibles.

If you scout out any standing homes, check the walls with your detector, search around the windows and pay particular attention to the fireplace. Before people learned to trust banks, they usually hid their cash at home where they spent most of their time. The diagram below will suggest examples of places to search at old home sites:



Before today's modern disposal methods, bottles as well as tin and iron trash had to be buried someplace. Today these dumps yield fantastic collectible items.

Where would you hide money over a period of time so you could easily remember where it was. You would want to keep your eye on it, but not make it easy for others to find it. Perhaps under the fourth fence post from the barn? Maybe behind the bricks in the fireplace? In a flower garden so that you could dig it up whenever you wanted without arousing suspicion? In a well? In a flower garden so that you could dig it up whenever you wanted without arousing suspicion? In a well? In a flower garden so that you could dig it up whenever you wanted without arousing suspicion? In a well?

Adults relax on grassy knolls or on front porches to catch the cool evening breeze. Big trees and swings are excellent places to hunt for lost items.

There is no end to the number of places to search. An active use of your imagination will greatly help you as you explore any location on this treasure filled earth.

ATTENTION METAL DETECTOR USERS



WHERE CAN YOU USE YOUR DETECTOR?



NATIONAL FOREST AND FEDERAL LANDS—Metal detecting is not allowed!! Only by special permit acquired from the federal government. Each area has a district office.

CORP OF ENGINEER LAKES, SHORELINE, AND LANDS—Permission has been granted only on pre-disturbed sites, such as beaches and attached swimming areas. New Corp lakes and lands must be OK'd by main office of the Army Corp of Engineers. Each area has a district office.

STATE PARKS AND LANDS—Some State Parks are open to metal detecting, yet some are not! We suggest that you check with the park ranger before attempting to use your detector.

BLM-BUREAU OF LAND MANAGEMENT LANDS—Some areas of their lands are open for use of metal detecting, and some are not. We suggest that you contact their district office to check.

CITY OR COUNTY PARK LAND—Most all are open to metal detecting unless notice is given by a sign or city ordinance. This can be checked by contacting the Parks and Recreation Department in the city you wish to use your detector.

PUBLIC SCHOOL GROUNDS—Most all are open to metal detecting unless notice is given by a sign, city ordinance, law enforcement, or school employee. You can check with the school office first.

PRIVATE SCHOOLS, COLLEGES AND ACADEMIES—Must acquire permission!! You can check with their office first. Should be viewed the same as private property.

PRIVATELY OWNED LANDS(Private Property)—Must acquire permission!! Permission is best gotten from the landowner. Also it is best to have that permission in writing.

HISTORICALLY MARKED LANDS OR SITES—Metal detecting is not allowed. This site has already met what is necessary to become historically significant and is marked so to preserve its history. Must acquire permission from owner, in special cases.

Remember, permission is always the best way. Learn proper digging techniques and clean the area of debris, so those that follow may also get permission and won't find the same area closed to metal detecting!! Be a good metal detectorist and help those that need your expertise.
